

Reverse - Vintage

Built-in socket

Code: 8000 117



Push socket-holder slot in Vintage stainless steel for built-in installation on work surfaces - 2 Schuko socket - 1 USB socket for charging



DETAILS

Texture Vintage

Material AISI 304 stainless steel

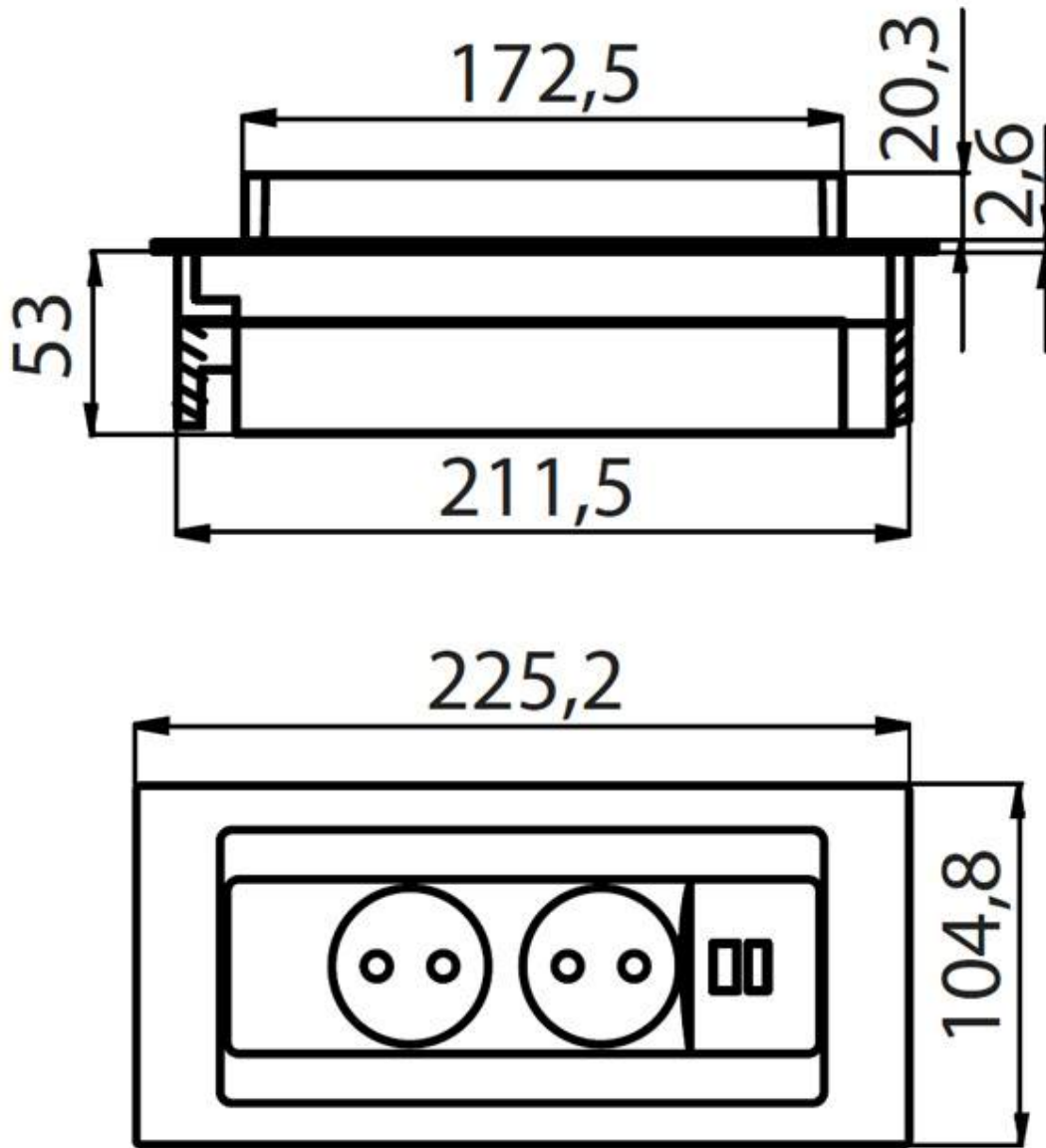
Built-in hole 215x88 mm

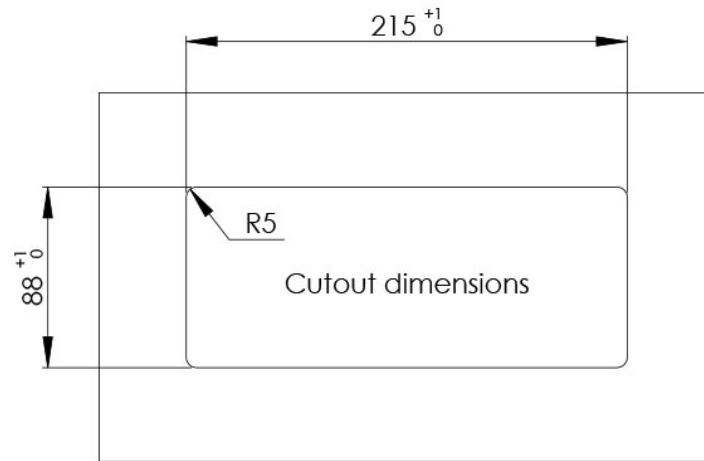
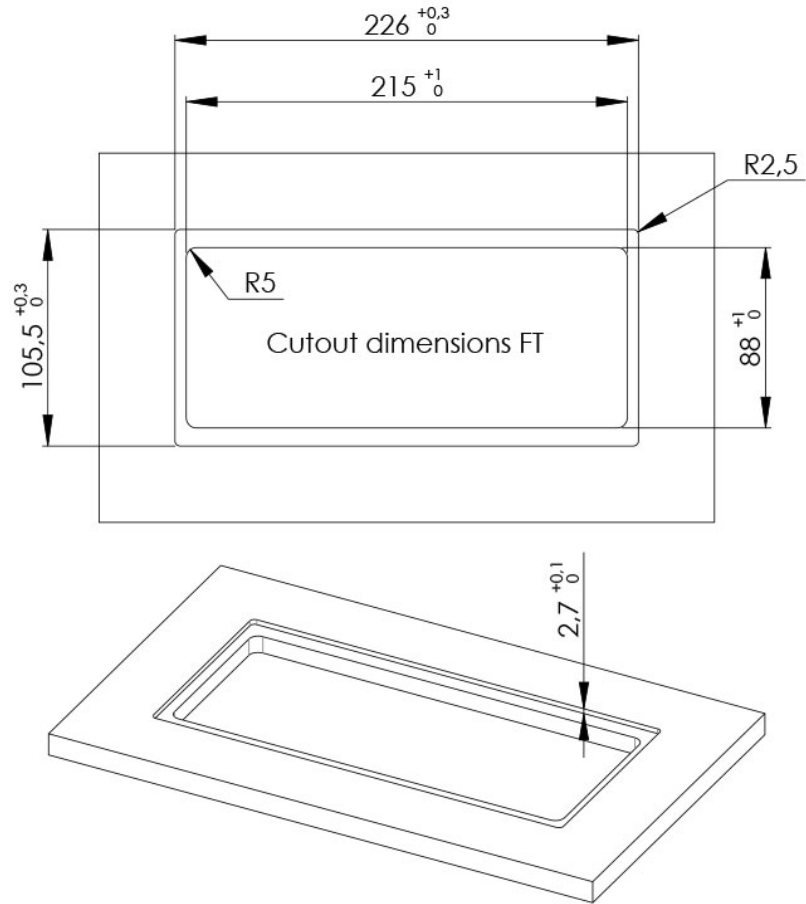
Notes: It's advisable to keep a distance of 40 cm from sinks or cooking hobs (protection index IP20)

FEATURES

VINTAGE The Vintage finish gives the product a long-lived and elegant look, creating a surface that does not fear scratches.

TECHNICAL DATA





GALLERY

